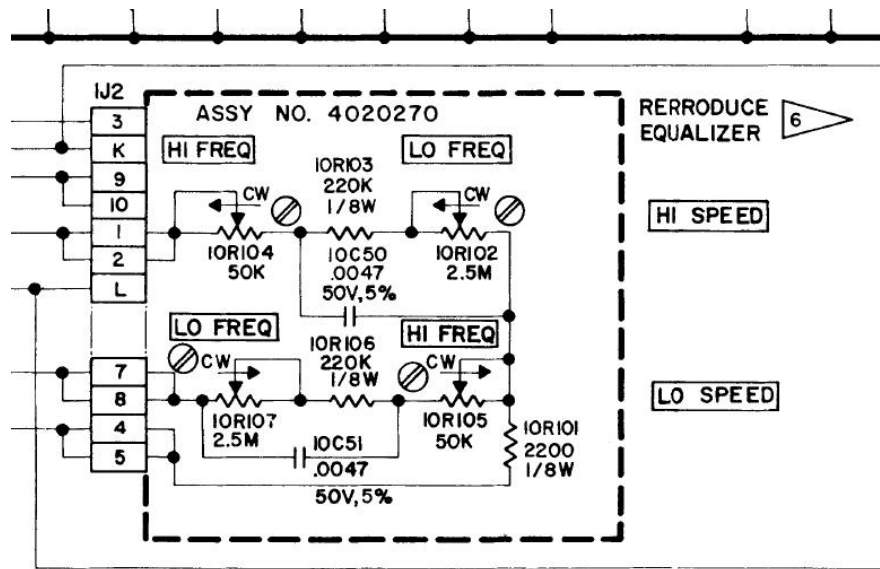


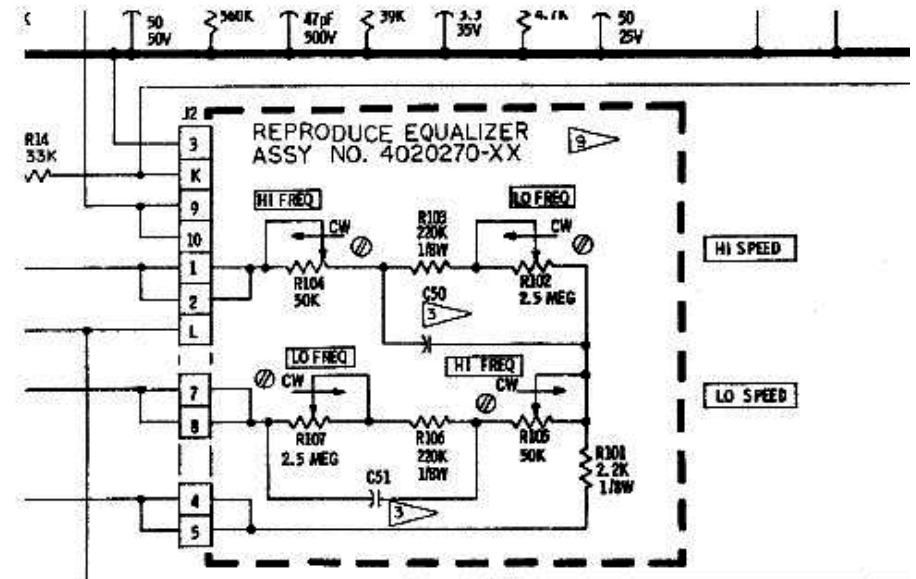




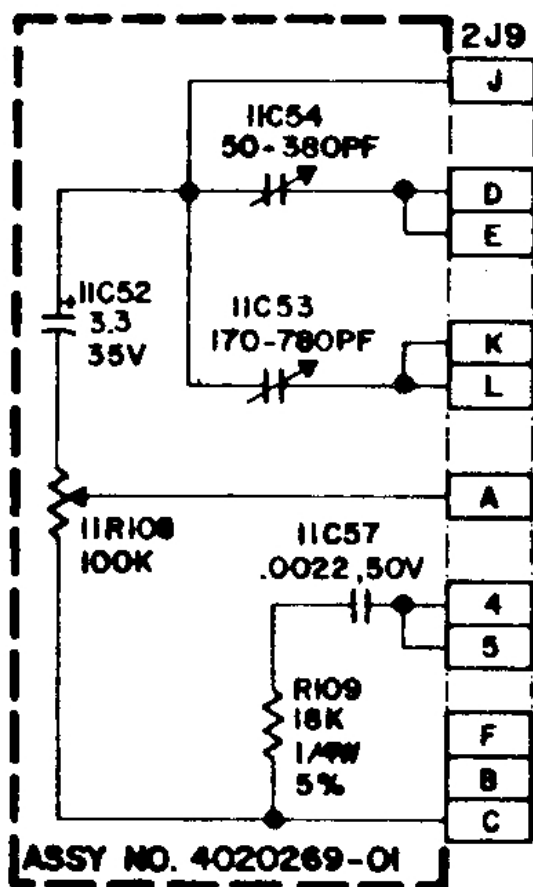
# AG440 Reproduce Equalizer Modules



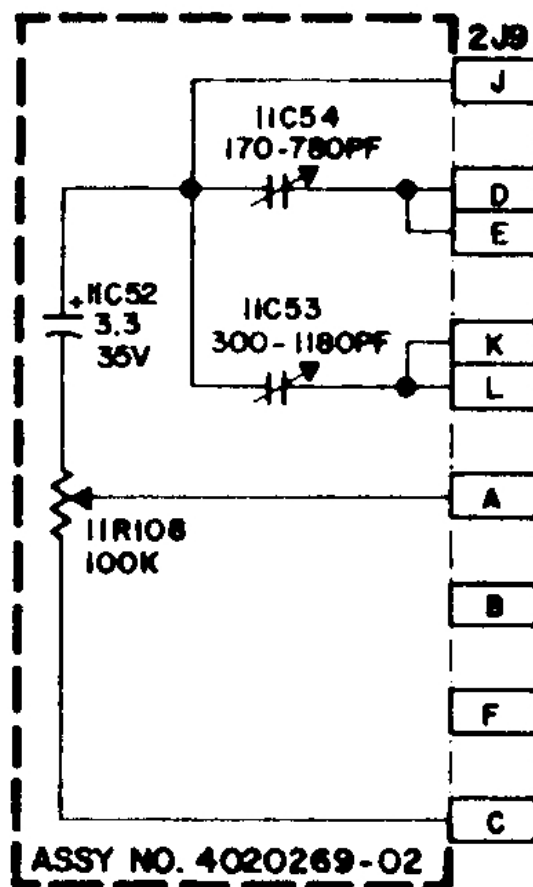
From AG440B manual



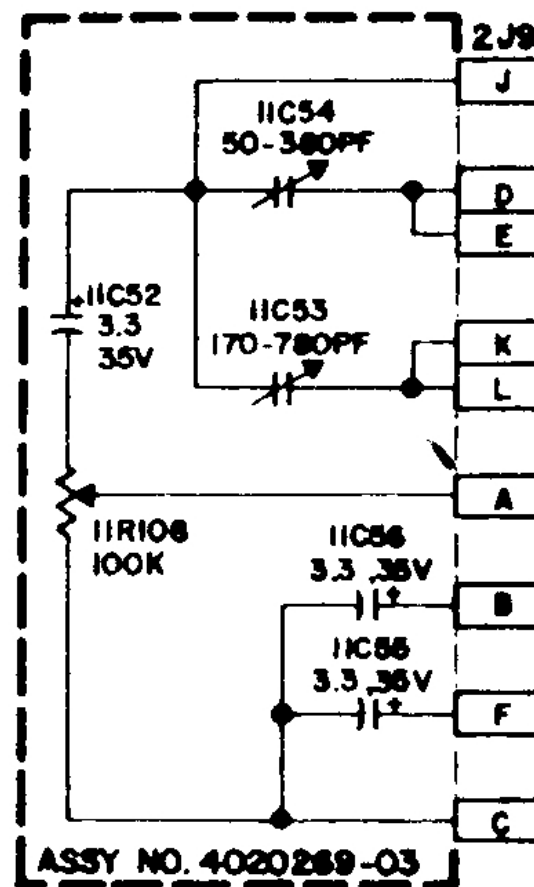
From AG440C manual



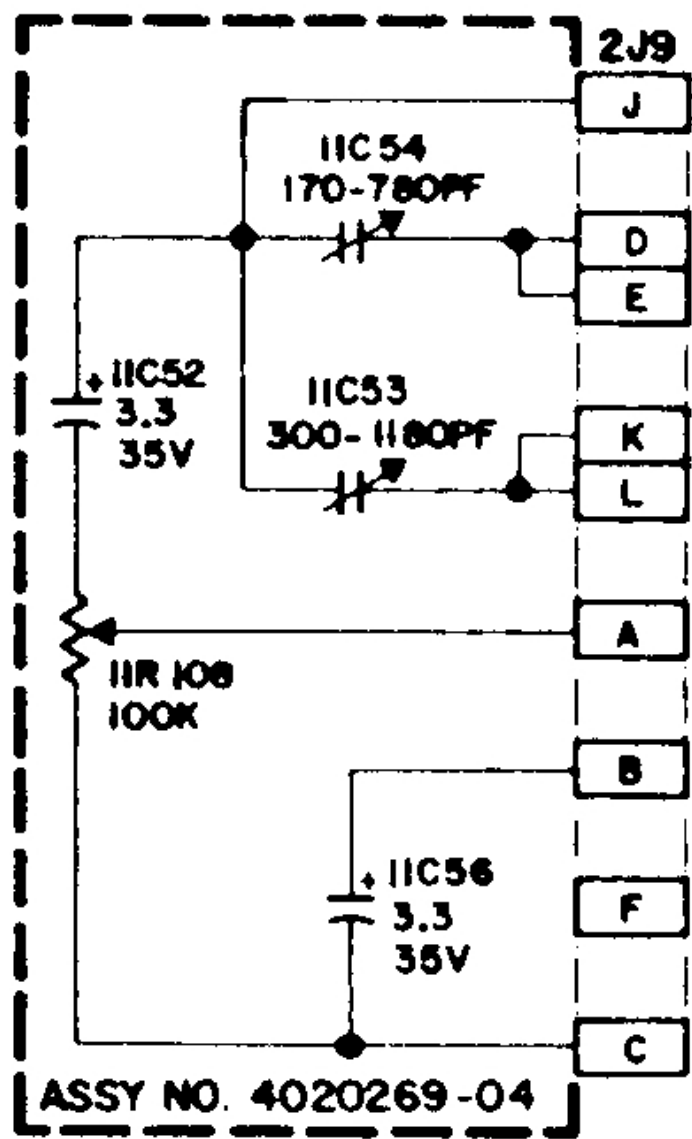
7 1/2 - 15 IPS NAB  
(RECORD EQUALIZER)



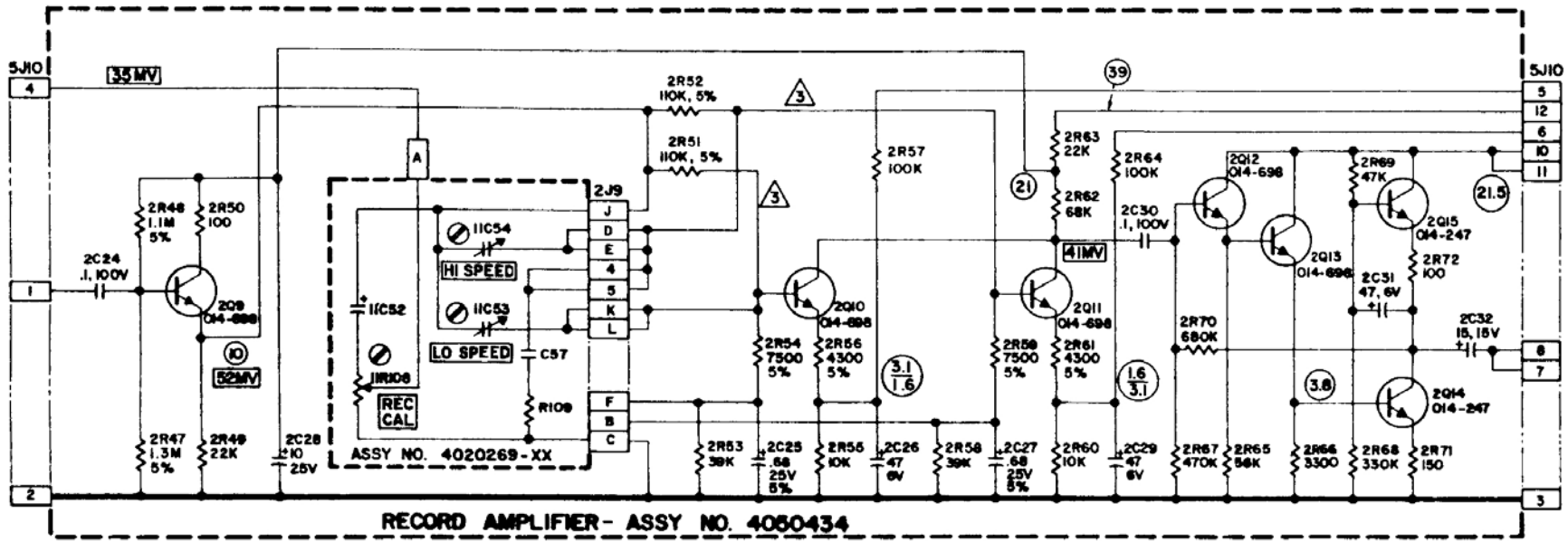
3 3/4 - 7 1/2 IPS NAB  
(RECORD EQUALIZER)



7 1/2 - 15 IPS I.E.C. (CCIR)  
(RECORD EQUALIZER)



3 3/4 - 7 1/2 IPS I.E.C. (CCIR)  
(RECORD EQUALIZER)



## AG440 Record Equalizer Pinout

Pin #	What	Remarks	
1	A	Record Cal output	Goes to 5J10(4)
2	B	High speed LF EQ tweak	parallels 2C27
3	C	0V / Ground	
4	D	Output of Hi Speed trimmer EQ capacitor	Shunts 2R52, goes to 2Q11
5	E	parallel with D, to Hi Speed HF EQ network	C57 / R109
6	F	Lo speed LF EQ tweak	parallels 2C25
7	H	<b>Polarizing pin</b>	
8	J	Equalizer input, also top of Rec Cal pot	from 2Q9(E)
9	K	Lo speed EQ trimmer output	Shunts 2R51, goes to 2Q10
10	L	parallel with K	
Note: Double sided board used, but contacts are all connected across the two sides of the board on the amplifier PCB.			